

Internal Shift Sort Tray Type 1027 (B459)

(RoHS Compliant Materials)

Internal Shift Sort Tray Type 1027 (B459)

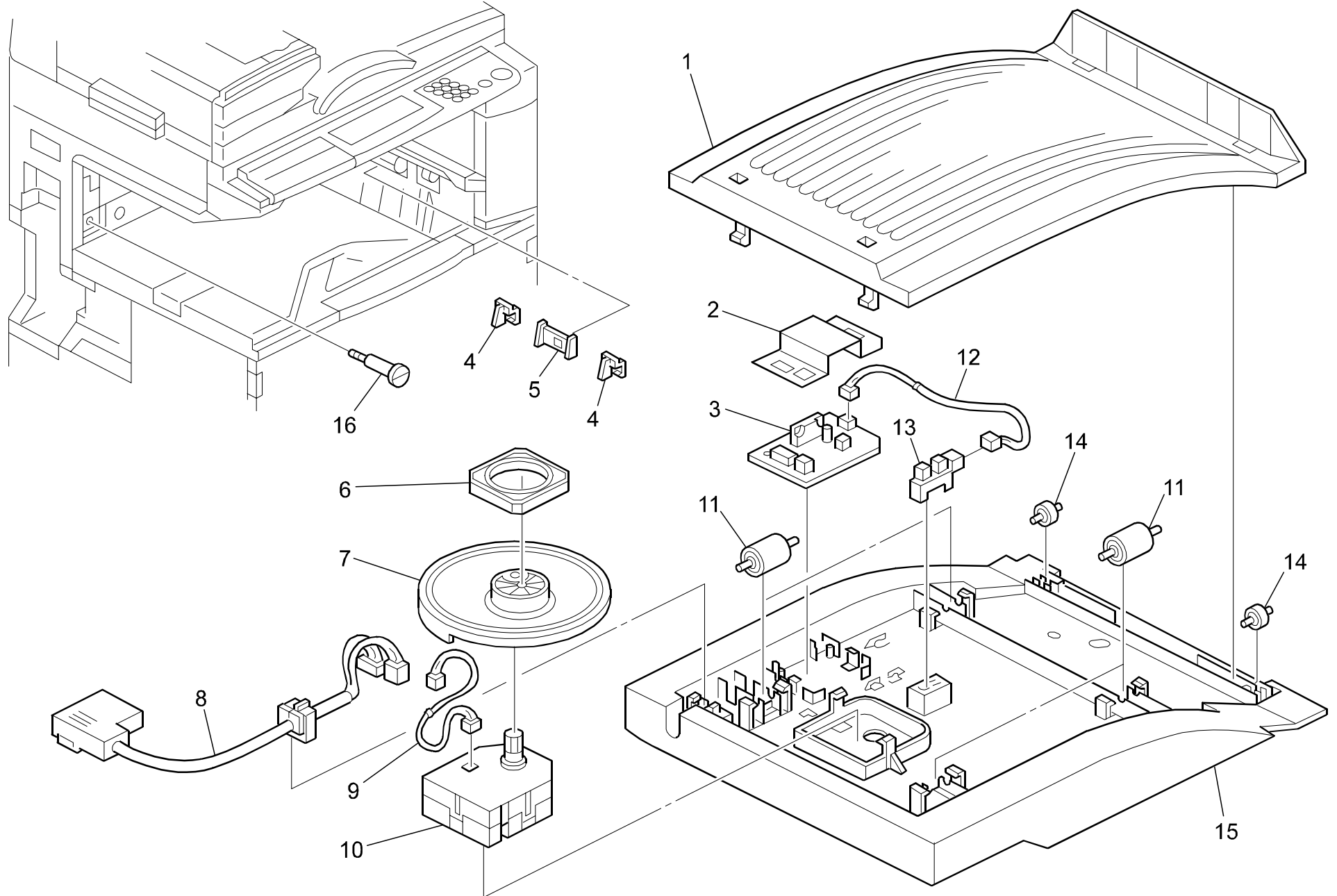
PARTS CATALOG

This catalog gives the numbers and names of parts on this machine.

1.Internal Shift Sort Tray Type1027 (B459)	2
PARTS INDEX	5

July ,01 ' 2005

1. Internal Shift Sort Tray Type1027 (B459)



1.Internal Shift Sort Tray Type1027 (B459)

Index No.	Part No.	Description	Q'ty Per Assembly
1	B459 2102	Tray Shift	1
2	B313 2105	Cover Stb Board	1
3	B459 5164	PCB STB	1
4	B459 2152	Guide - Auxiliary Front Rear	2
5	B459 2151	Guide - Auxiliary Middle	1
6	B313 2104	Slider Shift Tray	1
7	B313 2103	Cam Shift Tray	1
8	B459 5250	Harness - STB	1
9	B459 5252	Harness - STB Motor	1
10	AX04 0151	DC Motor:Shift	1
11	AF04 0569	Slide Roller	4
12	B459 5251	Harness - STB Sensor	1
13	AW02 0156	Photointerruptor:EE-SX4235A-P2	1
14	AF02 2112	Driven Roller	2
15	B459 2101	Base Shift Tray	1
16	AA14 3654	Shaft - Idler	1

Index No.	Part No.	Description	Q'ty Per Assembly

Parts Index

Parts Index

Part No.	Description	Page and Index No.
B459 2101	Base Shift Tray	3 - 15
B459 2102	Tray Shift	3 - 1
B459 2151	Guide - Auxiliary Middle	3 - 5
B459 2152	Guide - Auxiliary Front Rear	3 - 4
B459 5164	PCB STB	3 - 3
B459 5250	Harness - STB	3 - 8
B459 5251	Harness - STB Sensor	3 - 12
B459 5252	Harness - STB Motor	3 - 9

Part No.	Description	Page and Index No.
B313 2103	Cam Shift Tray	3 - 7
B313 2104	Slider Shift Tray	3 - 6
B313 2105	Cover Stb Board	3 - 2

Part No.	Description	Page and Index No.
AA14 3654	Shaft - Idler	3 - 16
AF02 2112	Driven Roller	3 - 14
AF04 0569	Slide Roller	3 - 11
AW02 0156	Photointerruptor:EE-SX4235A-P2	3 - 13
AX04 0151	DC Motor:Shift	3 - 10

Part No.	Description	Page and Index No.
----------	-------------	--------------------